

TAPEL di Mastromatteo Ciro & C. Sas  
 Via Industriale, 4 • I-36043 Camisano Vicentino (VI)  
 WEB [www.tapel.it](http://www.tapel.it) • E-mail [tapel@tapel.it](mailto:tapel@tapel.it)  
 Tel. +39 0444 411359 • Fax +39 0444 413728

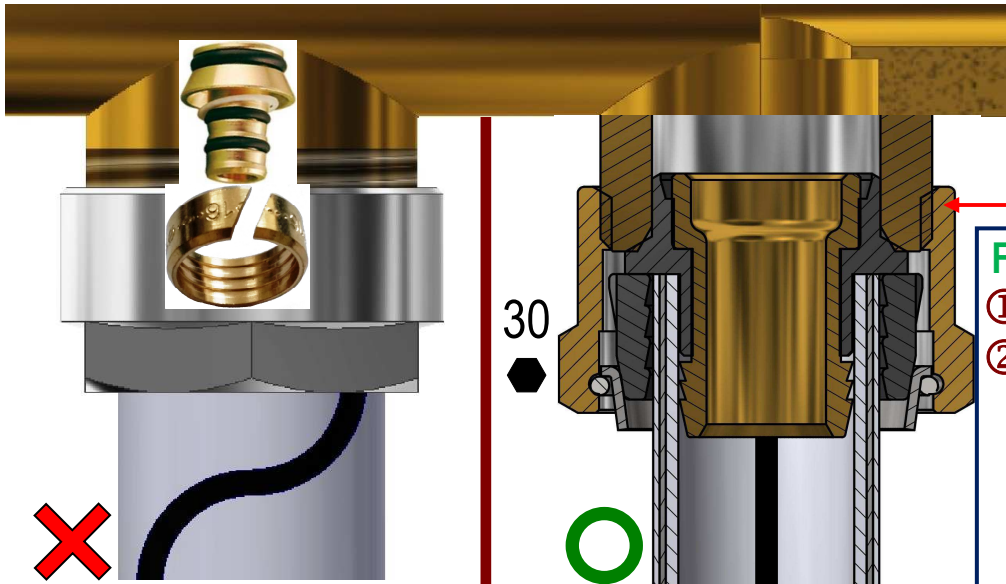
**RALLOTOP**  
 for **COPPER** pipes



CREATIVITÀ E INNOVAZIONE • **CREATIVITY AND INNOVATION** • **KREATIVITÄT UND INNOVATION**

**NEW ISORALLO PAT.PEND.**

**ANTI-TORSION** and **ANTI-CORROSION** fitting for **MULTILAYER** and **PEX** pipes



**NEW SYSTEM  
 SOFT TIGHTENING**

A one-piece nut with an anti-torsion preassembled elastic ring

**Features of ISORALLO adapter**

- ① Multilayer or PEX Pipe
- ② Brass insert with tubular rubber seal  
 Our brass reinforcement is inserted in a one-piece, anti-corrosion and watertight NBR gasket *to avoid accidental leakage due to damaging the O-Rings found in the standard adapters.*
- ③ Nickel-plated brass (CW617N) nut
- ④ Glass-reinforced plastic elastic bushing
- ⑤ Stainless Steel pressing ring  
*Free with respect to the rotation of the nut to avoid the torsion of the pipe.*

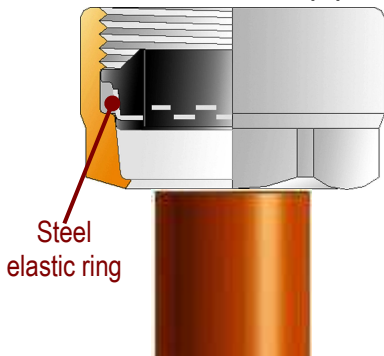
③ ④ ⑤ are factory-assembled in one handy item, in order to make easier for the plumber to connect the pipe with the male threaded terminal.

Max temperature: 90 °C  
 Max pressure: 1.000 kPa

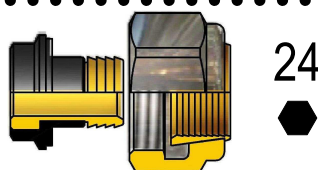
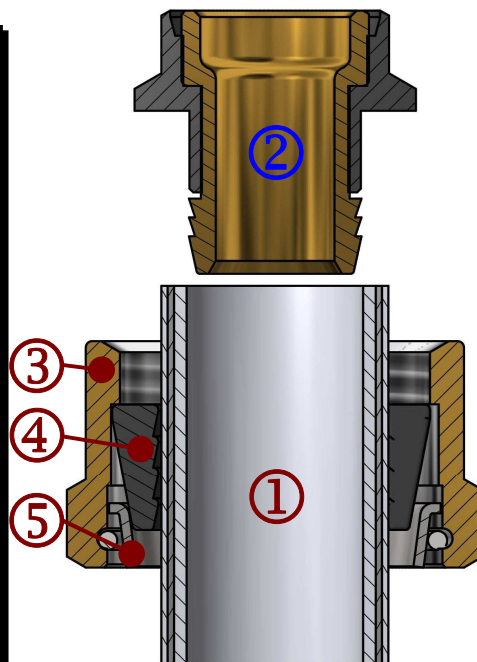
**KNOWN TECHNIQUE**

**EURORALLO**

for **COPPER** PATENTED pipes



Thread	Pipe Ø
<b>G1/2</b>	10
	12
	14
	15
<b>M22x1,5</b> Ø16,2 valve	16
	10
	12
	14
<b>M24x1,5</b> <b>W24x19</b> Ø18,2 valve	15
	16
	18
	<i>RALLOTOP only</i>
<b>G3/4 EK</b> Ø18,2 valve	10
	12
	14
	15
	18



Thread	Pipe size	Code
<b>G1/2</b> Ø16,2 valve	14x2	IS04001420
	16x2	IS04001620
	16x2,25	IS04001622
<b>M22x1,5</b> Ø16,2 valve	14x2	IS22151420
	16x2	IS22151620
	16x2,25	IS22151622

Thread	Pipe size	Code
<b>G3/4 EK</b> Ø18,2 valve	14x2	IS05001420
	15x2,5	IS05001525
	16x2	IS05001620
	16x2,25	IS05001622
	17x2	IS05001720
	18x2	IS05001820
	18x2,5	IS05001825
	20x2	IS05002020
	20x2,25	IS05002022
	20x2,5	IS05002025

Other available threads:  
**W24,5x19, W24x19, M24x1,5 (Ø18,2)**